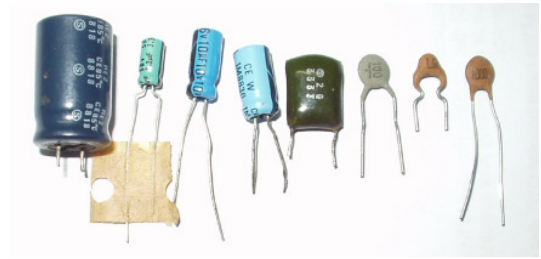
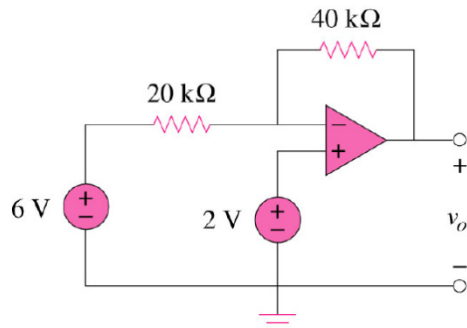


Electric Circuit Analysis with Lab

Engineering 6 – Section #51778

Spring 2013



Instructor: Dr. John Heathcote **Class Times:** Lecture/Lab: M 1:00-3:50 pm PHY-70
Lecture/Lab: W 1:00-3:50 pm POR-4

Office: FEM-1B, in the Math Study Center

Phone: 638-3641 ext. 3215

e-mail: john.heathcote@reedleycollege.edu

Office Hours: Monday 11:00 am -11:50 am
Wednesday 11:00 am -11:50 pm
Thursday 11:00 am -11:50 pm
If you cannot make regular office hours, feel free to make an appointment.

Required Text: Fundamentals of Electric Circuits, 5th Edition, Alexander and Sadiku, McGraw Hill

Catalog Description: An introductory course in the analysis of DC and AC linear circuits containing resistors, inductors, capacitors, independent and dependent voltage and current sources, and operational amplifiers. Topics include Ohm's Law, Kirchhoff's Laws, loop and mesh analysis, Thevenin's and Norton's Theorems, superposition, natural and forced response in first and second order circuits, phasor analysis, resonance, and AC steady-state power.

Prerequisite: Physics 4B

Corequisite: Math 7

Advisories: Eligibility for English 125 and 126

Grading: 75% Tests
15% Homework, Classwork and Quizzes
10% Laboratory Performance and Reports

Grading Scale: A: 90-100%
B: 80-89%
C: 70-79%
D: 60-69%
F: <60%

Tests: There will be four tests given during the term. The tests will usually be given during a lab period. Some of the tests cover the most recent chapters and some are comprehensive. Some of the tests may have a lab component during which you will be asked to individually perform lab activities. The final test will be a comprehensive final exam.

Homework: Homework will be assigned in order to practice the problem-solving skills taught in class. To receive full credit, the assignments should be performed neatly and submitted on time. Draw the circuit diagrams for each problem.

Class Work and Quizzes: In-class work problems may be assigned and completed during some class periods. These will be problems related to homework problems to further students' understanding and practice problem-solving skills. Quizzes may also be given to test students' understanding and problem-solving ability.

Laboratory Performance and Reports: This course includes a laboratory section during which we will perform experiments to complement the coursework for the class. The laboratory grade will be based on performance during the lab experiment and some required written reports. Grades for laboratory reports may be based on the quality of your experimental work, the analysis of the experiment, the accuracy of your experimental calculations, and your ability to set up circuit equipment.

Late Work and Make-up Tests: Homework and laboratory reports should be submitted on time. If there is a valid reason that the work must be turned in late, please inform the instructor ahead of time. Otherwise, late work will not receive full credit. Make-up tests will only be arranged upon prior approval. If you will know that you will miss a test, you **MUST** let the instructor know beforehand. If you are sick on the day of a test, you must call the instructor on that day.

Attendance: Attendance in class and at the lab sessions is mandatory. Class attendance will be recorded. If you miss more than four (4) class sessions, you may be dropped.

Make-Up Labs: If you must miss a lab session and want to make up the points, you will need to make up the laboratory work at another time. You will have to work around the instructor's schedule in order to find a time when he can supervise the laboratory work.

Add Date:	Friday, January 25 th	Last day to add a course
Drop Date:	Friday, March 8 th	Last day to drop this course
Holidays:	Monday, January 21 st Friday-Monday, Feb. 15-18 th Monday-Friday, March 25 th -29 th	Martin Luther King Jr. Day Presidents' Day Holidays Spring Recess Holidays
Final:	Monday, May 13 th 1:00 pm	Last test of semester will be given during exam period

Accommodations for Students with Disabilities:

If you have a verified need for an academic accommodation or materials in alternate media (i.e., Braille, large print, electronic text, etc.) per the Americans with Disabilities Act (ADA) or Section 504 of the Rehabilitation Act, please contact me as soon as possible.

Blackboard Course Site:

A Blackboard course website is set up for this course. You can look here for class notes, assignments, schedules, or posted solutions. It can be accessed via the Blackboard link on the Reedley College home page. Your user name is your seven digit student number. If you have never changed it, your password is the same.

Lecture/Lab Schedule (subject to change):

Week 1	Chapters 1 and 2	Introductory Lab
Week 2	Chapters 2 and 3	Unknown Resistance Lab
Week 3	Chapter 3	No Lab (<i>MLK, Jr. Day</i>)
Week 4	Chapter 4	Voltage Divider Lab
Week 5	Chapter 4	Test #1
Week 6	Chapters 4 and 5	Linearity and Superposition Lab
Week 7	Chapter 5	No Lab (<i>Presidents' Day</i>)
Week 8	Chapters 5 and 6	Op Amp Lab
Week 9	Chapters 6 and 7	Test #2
Week 10	Chapter 7	Energy Storage Lab
Week 11	Chapter 8	First Order Circuit Lab
	Spring Break	
Week 12	Chapter 8	2 nd Order Circuit Lab
Week 13	Chapters 8 and 9	Transient Circuits Lab
Week 14	Chapters 9 and 10	Test #3
Week 15	Chapters 10 and 11	AC Circuit Lab
Week 16	Chapter 11	Black Box Lab
Week 17	Chapter 11	TBA
Week 18	Finals Week	Test #4

COURSE OUTCOMES:

Upon completion of this course, students will be able to:

- A. Determine unknown electrical quantities using the basic v-i characteristic equations of electrical components.
- B. Solve DC circuit problems using a variety of analytical techniques.
- C. Solve AC circuit problems using phasor methods.
- D. Solve steady-state AC power problems.
- E. Use basic electrical test and analysis equipment in a laboratory setting.
- F. Plan, execute, and write reports for laboratory experiments.

COURSE OBJECTIVES:

In the process of completing this course, students will:

- A. Derive and use the v-i (voltage-current) characteristic equations for resistors, operational amplifiers, and independent and dependant power sources.
- B. Solve DC electrical circuit analysis problems using Kirchhoff's voltage and current laws.
- C. Apply series and parallel resistor theorems.
- D. Apply current and voltage division theorems.
- E. Solve DC electrical circuit analysis problems using the analysis techniques of mesh current and node voltage.
- F. Solve DC electrical circuit analysis problems using the analysis techniques of superposition, Thevenin's Theorem, and Norton's Theorem.
- G. Derive and use the v-i characteristic equations for energy storage devices (capacitors and inductors).
- H. Solve first order circuit problems involving energy storage devices (both natural and forced response problems).
- I. Solve second order circuit problems involving energy storage devices (both natural and forced response problems).
- J. Learn and use phasor analysis techniques for solving AC steady-state circuit problems.
- K. Apply KVL, KCL, node voltage, mesh current, Thevenin's Theorem, Norton's Theorem, and superposition analysis techniques to solve AC steady-state circuit problems.
- L. Calculate power quantities in AC steady-state circuit problems using the appropriate equations and the power triangle.
- M. Calculate electrical quantities in three-phase AC electrical circuits.
- N. Learn to competently use electrical laboratory test and analysis equipment.